

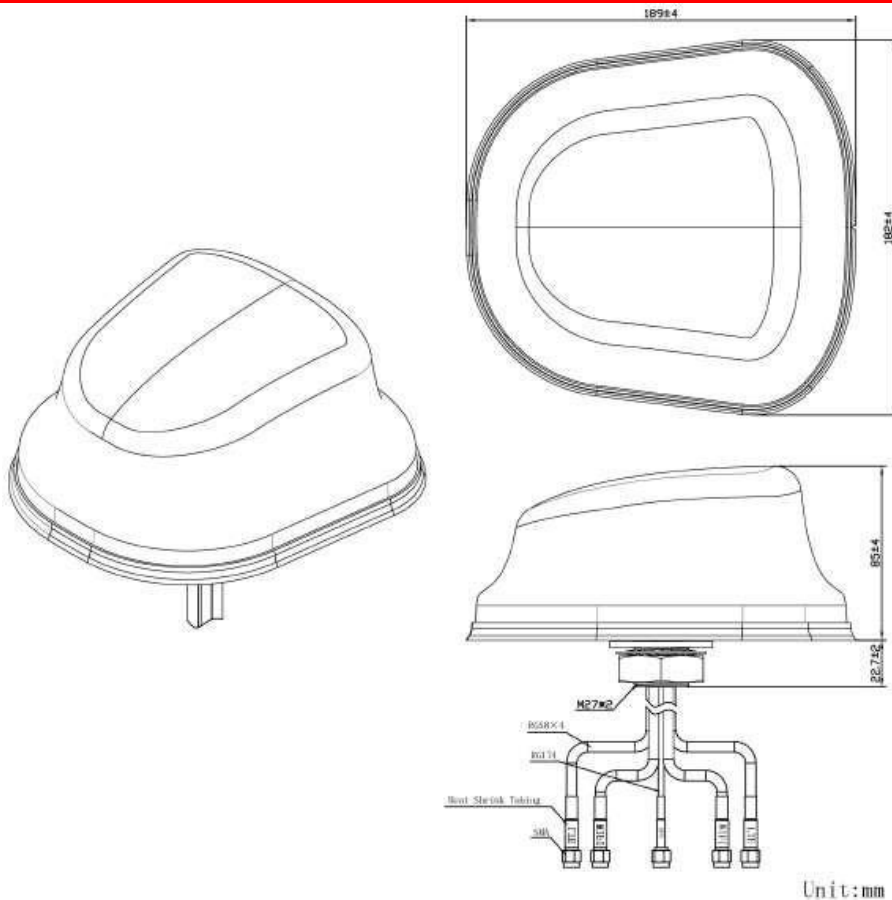


SPK ELECTRONICS CO., LTD.

**GNSS+LTE MIMO+WIFI MIMO Antenna
(Model: SPK-MULTIANT-016)**



DIMENSIONS



Add : 10F,NO.510,SEC.5,CHUNG HSIAO E. RD, TAIPEI, TAIWAN

Tel : 02-2346-2323

Fax : 02-2346-3939

E-mail : spk@spkecl.com WEB:<http://www.spkecl.com>

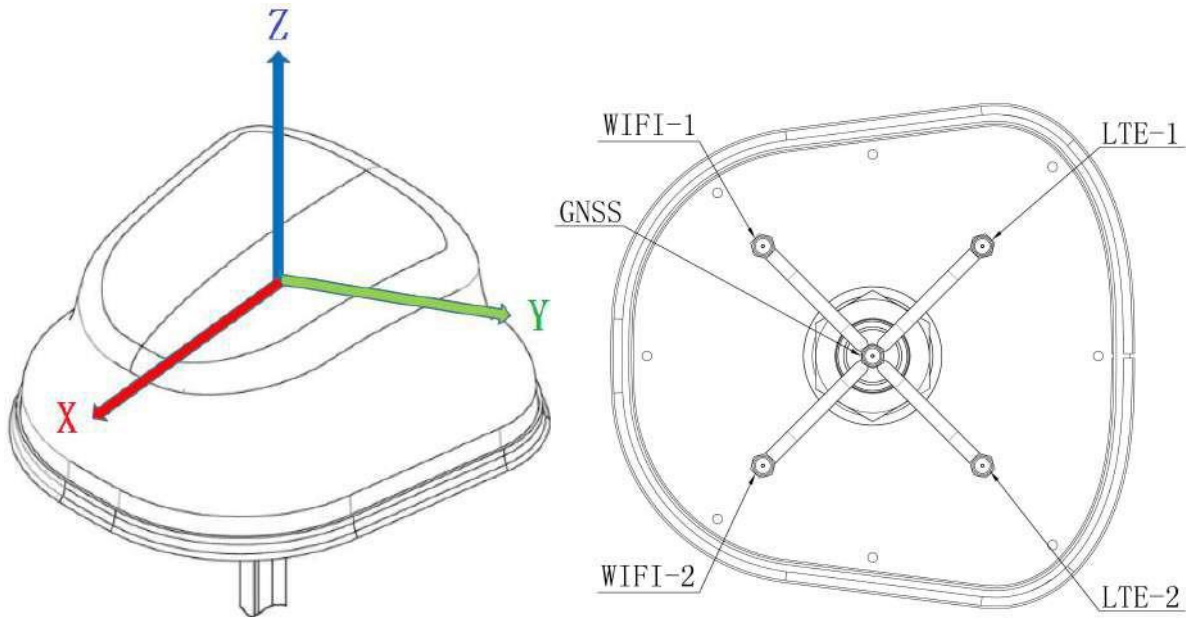


SPECIFICATIONS

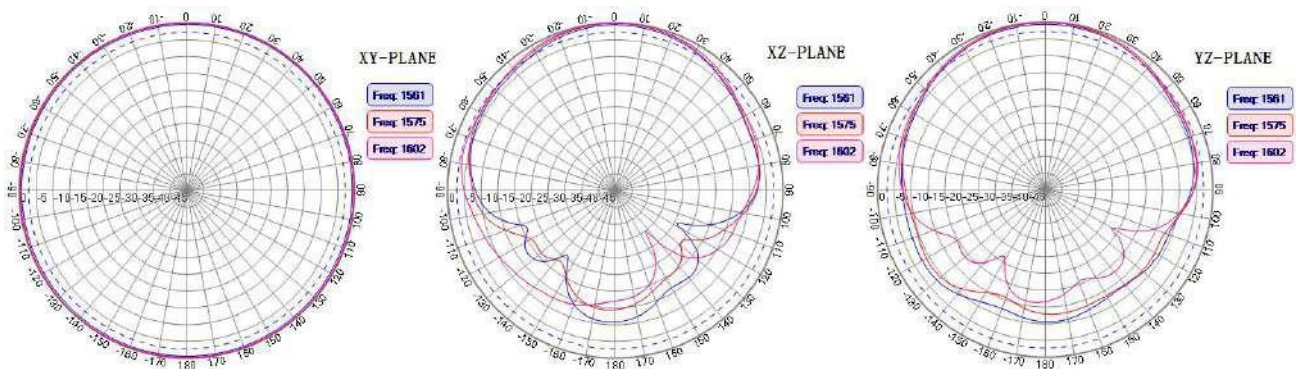
Item	Specifications	
GNSS Antenna	Frequency Range	1561.098~1610MHz
	Polarization	RHCP
	Impedance	50 Ω
	Dimension	25*25*4mm
	Gain	28 \pm 2dB
	Noise Figure	\leq 1.5dB
	Supply Voltage	3~5V DC
	Current Consumption	< 15mA
	V.S.W.R	< 2.0
LTE Antenna MIMO	Frequency Range	698~960MHz/1710~2690MHz/2900~3600MHz
	V.S.W.R	< 3.0
	Polarization	Linear
	Gain	4dBi (Typ.)
	Impedance	50 Ω
WIFI Antenna MIMO	Frequency Range	2400~2483.5MHz/4900~5825MHz
	V.S.W.R	< 2.5
	Polarization	Linear
	Gain	4dBi (Typ.)
	Impedance	50 Ω
Mechanical	Cable	RG58*4 & RG174*1
	Connector	SMA or others
	Material	PC/ABS
	Mounting Method	Screw
Environmental	Operating Temperature	-40 $^{\circ}$ C~+85 $^{\circ}$ C
	Relative Humidity	Up to 95%
	Ingress Protection	IP67 (exclude cable outlet)
	Vibration	10 to 55Hz with 1.5mm amplitude 2hours
	Environmentally Friendly	ROHS Compliant



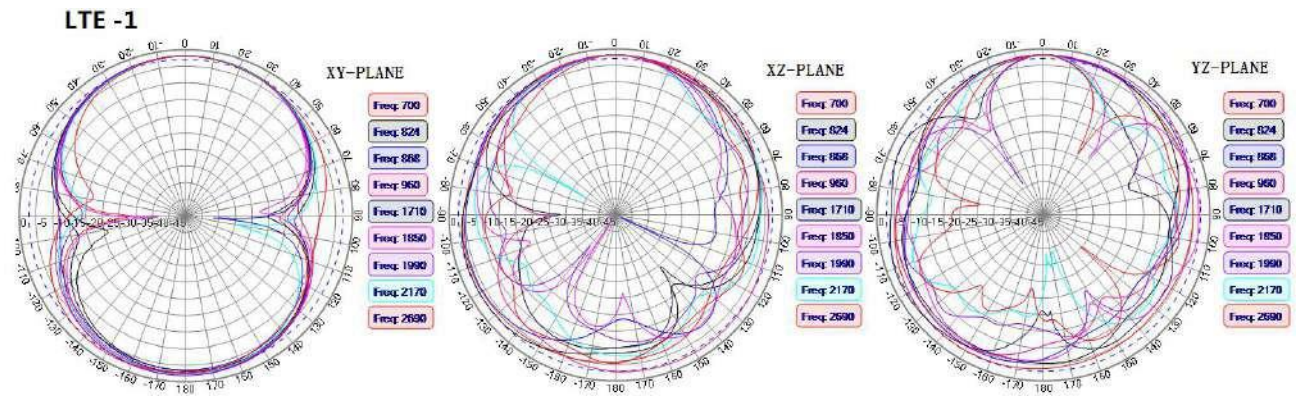
Radiation Pattern



GNSS Antenna



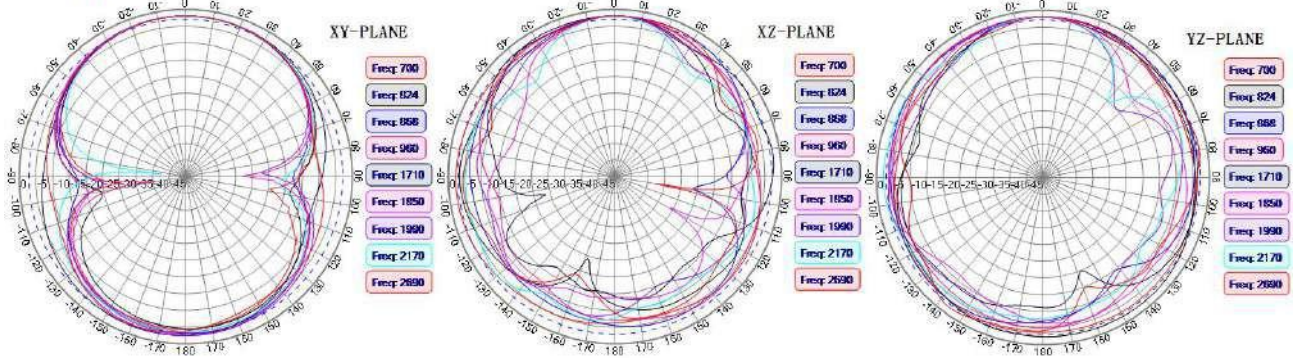
LTE Antenna





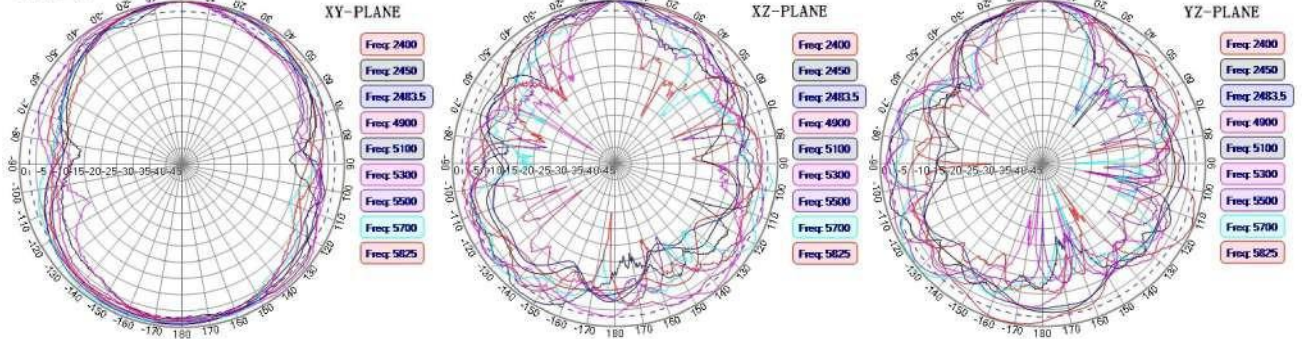
SPK ELECTRONICS CO., LTD.

LTE -2

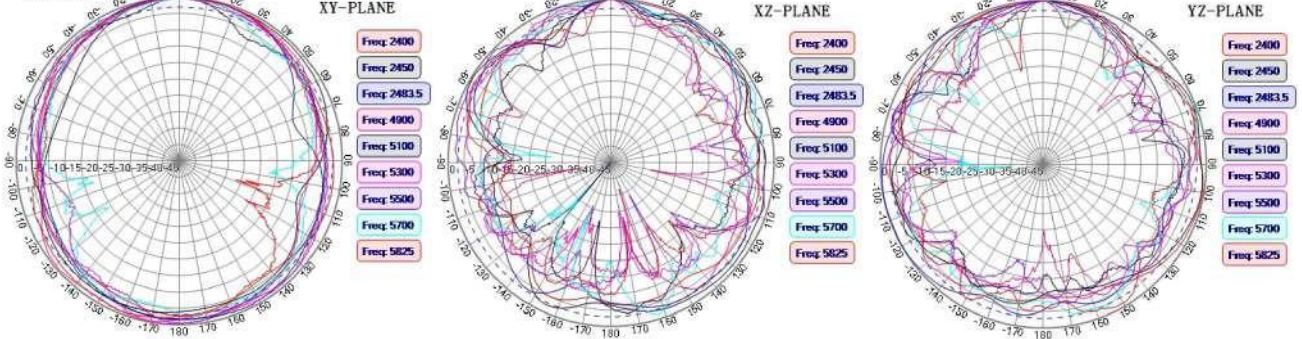


WIFI Antenna

WIFI-1



WIFI-2



Add : 10F,NO.510,SEC.5,CHUNG HSIAO E. RD, TAIPEI, TAIWAN

Tel : 02-2346-2323

Fax : 02-2346-3939

E-mail : spk@spkecl.com WEB:<http://www.spkecl.com>