



Defender GPS/GLONASS Car Tracker

MODEL: SPK-TRACKER-C002



1. Product Introduction

1.1. Product Features

- Slim body & easy to storage
- Tri-color LEDs display status
- Dual-frequency satellite positioning (GPS + GLONASS)
- Multiple report mode
- G-sensor sensitivity adjustment(Surcharge)
- Manufacture and R&D all made in Taiwan

1.2. APP Features

- Android / iOS APP free to download
- Multiple devices status can be monitored by a smartphone
- Geo Fence – Receive the notification when the device out of the place you set
- Historical Data – APP can review the device route from the cloud database
- Multiple smartphones can monitor a device at the same time
- Device location sharing
- Multiple alarm function to secure the vehicle
- Language – Chinese traditional, English, Japanese, Spanish, Russian
- Google map using on our APP is legally authorized



1.3. Application Environment

- Can apply to multiple vehicle and transportation in anywhere



2. Specifications

2.1. Technical Data

Communication Module	SARA-U2 series	3G GSM Module ; Support UMTS/HSUPA/HSDPA/GSM
Position Module	MAX M8C	Dual-frequency satellite positioning Module ; Support GPS / GLONASS
SIM Card Connector	Support Micro SIM Card	

2.2. Battery Data

Battery	none
Power Source	285cm, 12V-36V vehicle power with 4.2V Buck Line

2.3. Environmental Requirement (without SIM)

Relative Humidity	0 ~ 95% (noncondensing)
Operating ambient temperature	0°C ~ 55°C
Nonoperating Temperature	-20°C ~ 80°C

2.4. Device Dimensions and Weight

Dimensions	Length : 62.7mm	Length : 45.3mm	Height : 12.2mm
Weight	37.5±0.3g		

2.5. Package

Dimensions	Length : 140mm	Width : 80mm	Height : : 50.5mm
Weight	128±2g		



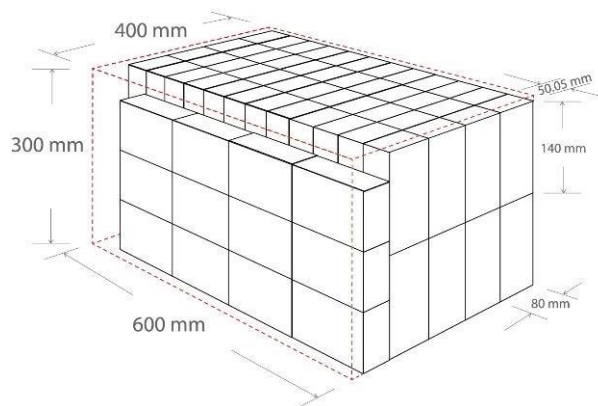
SPK ELECTRONICS CO., LTD.

3. Carton Delivery

The weight of package doesn't include the internal packaging materials and the carton weight.

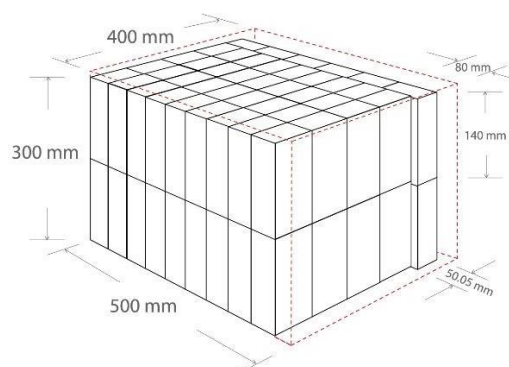
3.1. Carton A

Carton Size	Length : 600 mm	Width : 400mm	Height : 300mm
Packing Quantity	108 pcs		
Expecting Net Weight	13.83 Kg		



3.2. Carton B

Carton Size	Length : 500mm	Width : 400mm	Height : 300mm
Packing Quantity	84pcs		
Expecting Net Weight	10.76 Kg		



Add : 10F,NO.510,SEC.5,CHUNG HSIAO E. RD, TAIPEI, TAIWAN

Tel : 02-2346-2323

Fax : 02-2346-3939

E-mail : spk@spkecl.com

WEB:<http://www.spkecl.com>



3.3. Carton C

Carton Size	Length : 450 mm	Width : 350mm	Height : 250mm
Packing Quantity	56pcs		
Expecting Net Weight	7.17 Kg		

