



# SPK ELECTRONICS CO., LTD.

## GPS + Glonass + Iridium + GSM + UMTS Antenna

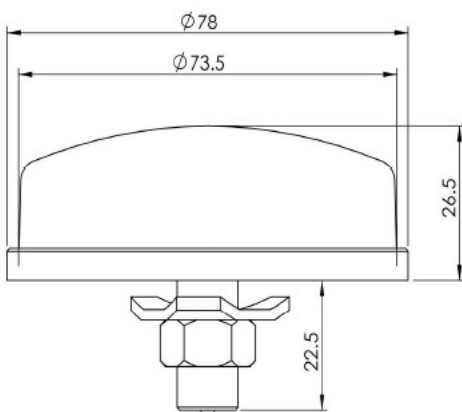
### Electrical Properties

Category	GPS antennas	Communication antennas
Frequency	1.57542GHz (GPS) 1602 GHz (Glonass) 1621.25 GHz (Iridium)	824 ~ 960 MHz (GSM) 1710~1990 MHz (DCS /PCS) 2100 (UMTS)
Impedance	50 ohms	50 Ohms
Gain(without cable)	27 dB	1.7 dB
VSWR	< / - 2.0	< / - 2.0 (with 1 m cable)
Noise Figure	1.3 Max.	-
Cable/Connector	1 M-174/SMA	1 M-RG174/SMA (optional)
Polarization	R.H.C.P.	Linear
Power Supply	3.0 ~ 5.5 V DC	-
Power consumption	12 mA	-
Power Handling Capacac	-	10 W
Dimension	78 mm (dia.) x 26.5 mm (H)	
Operation Temperature	-40 °C ~ +80 °C	
Storage Temperature	-45 °C ~ + 100 °C	

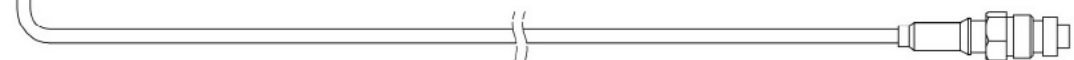
Model NO : SPK-G5E215



### DRAWING ~ RG 174 A/U - 1 Meter + FME female



CABLE RG-174A/U LENGTH 3.33ft



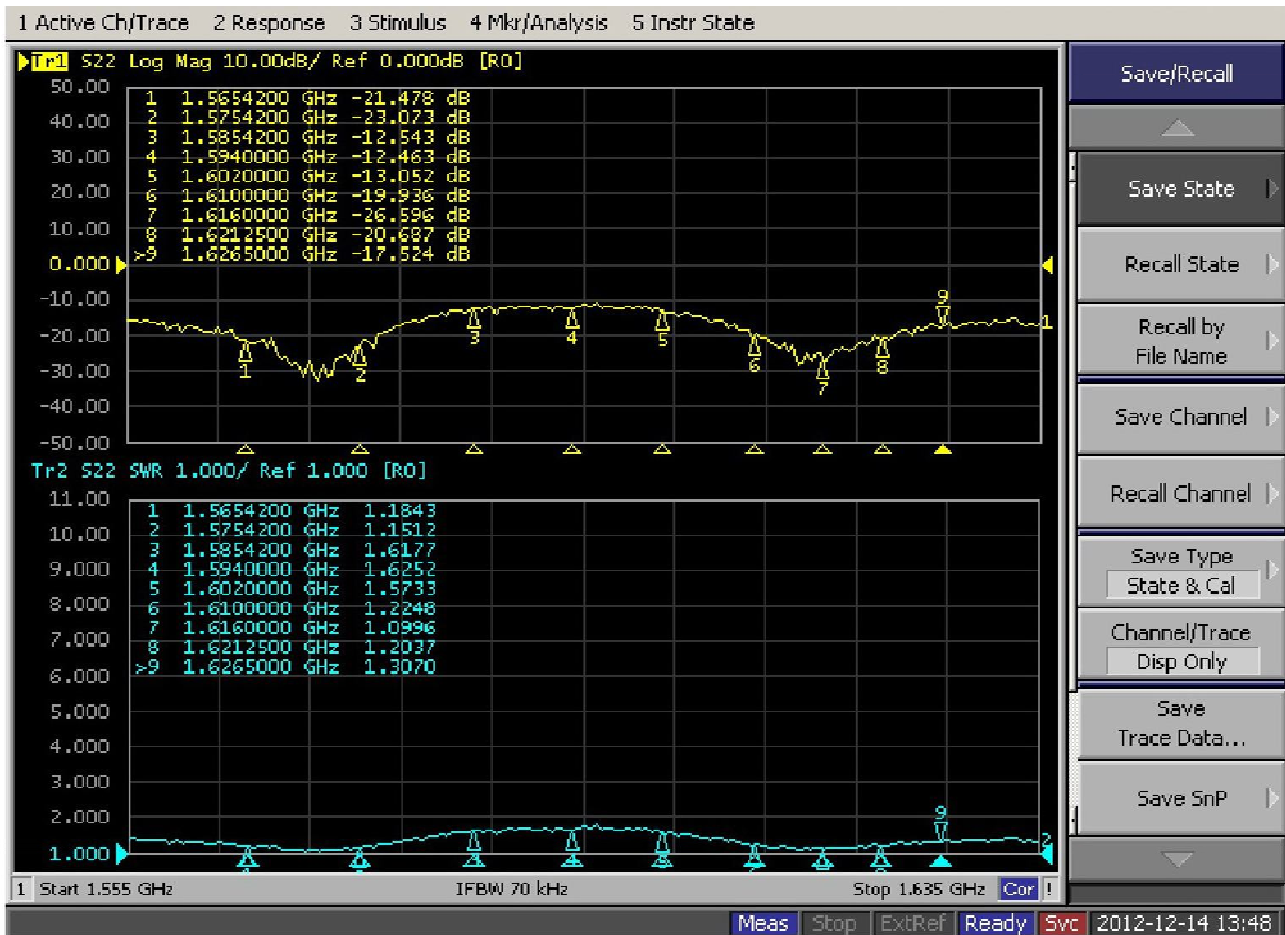
Add : 10F,NO.510,SEC.5,CHUNG HSIAO E. RD, TAIPEI, TAIWAN

Tel : 02-2346-2323

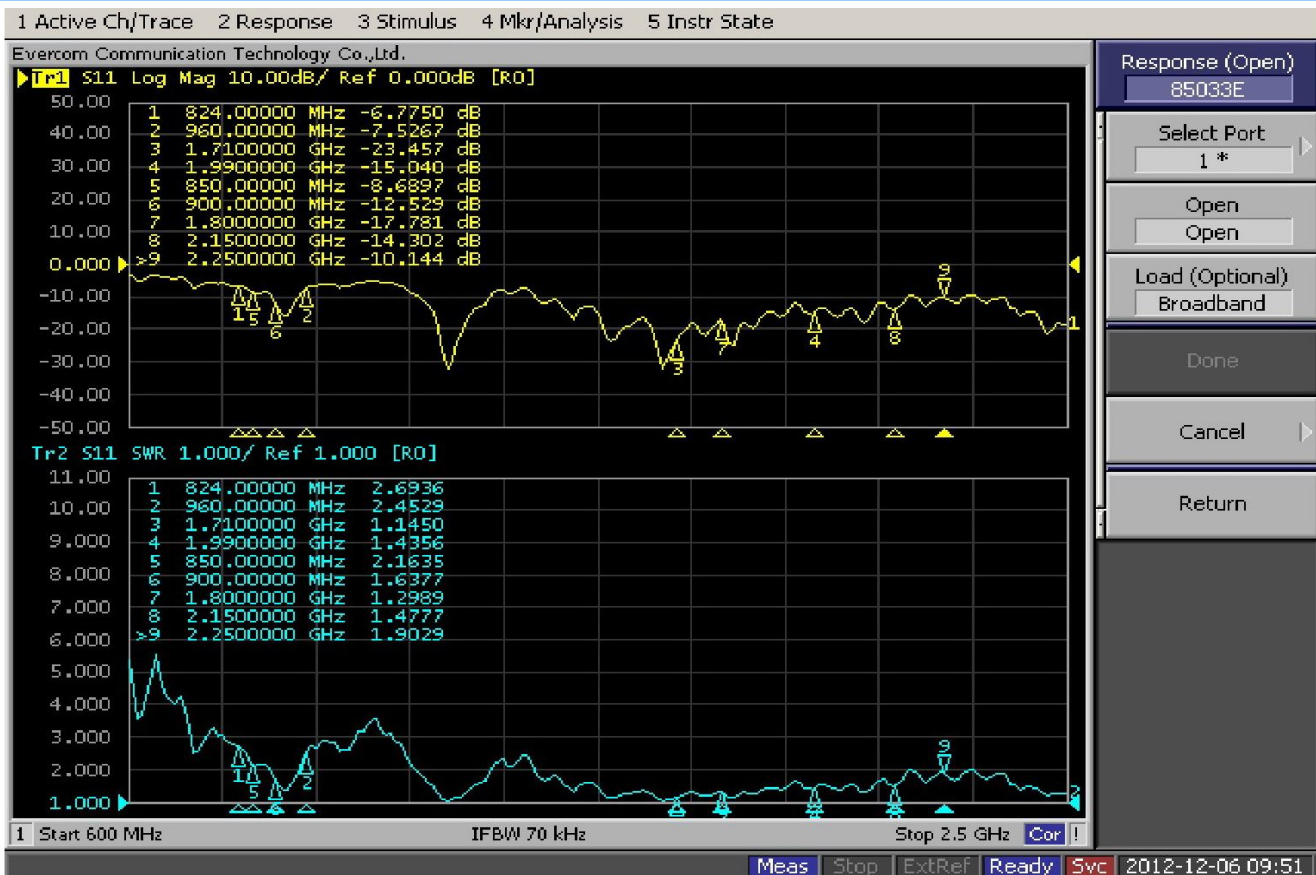
Fax : 02-2346-3939

E-mail : [spktw@ms34.hinet.net](mailto:spktw@ms34.hinet.net) WEB:<http://www.spkecl.com>

● Frequency & VSWR - RG 174 A/U - 1 m + SMA STR plug x 2 sets - screw mount - with power



● Frequency & VSWR - RG 174 A/U - 1 m + SMA STR plug x 2 sets - passive



Add : 10F,NO.510,SEC.5,CHUNG HSIAO E. RD, TAIPEI, TAIWAN

Tel : 02-2346-2323 Fax : 02-2346-3939

E-mail : [spktw@ms34.hinet.net](mailto:spktw@ms34.hinet.net) WEB:<http://www.spkecl.com>