

SPK ELECTRONICS CO., LTD.

GPS+GSM ANTENNA 2 IN 1

SPK-GGSM691



Electrical

Frequency Range:

GPS: 1575MHz

GSM: 824MHz~960MHz; 1710MHz~2170MHz

Mechanical

Antenna Base: ABS+PC

Color: Black

Antenna Base: PC UL 94V-0

Operating Temperature: -20°C ~ +65°C

Storage Temperature: -30°C ~ +75°C

Cable: RG174

Connector: Optional

Others

Cable Length: Optional

Connector: Optional

Add : 10F,NO.510,SEC.5,CHUNG HSIAO E. RD, TAIPEI, TAIWAN

Tel : 02-2346-2323

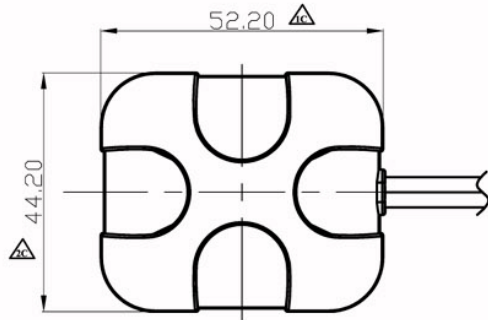
Fax : 02-2346-3939

E-mail : spktw@ms34.hinet.net

WEB:<http://www.spkecl.com>

SPK ELECTRONICS CO., LTD.

RoHS COMPLIANT



MECHANICAL

Antenna Base : ABS+PC.

Color : Black

ELECTRICAL

Frequency :

GSM : 824~960

1710~2170 MHz

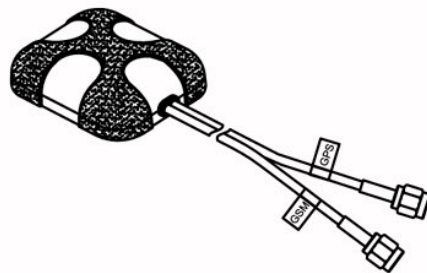
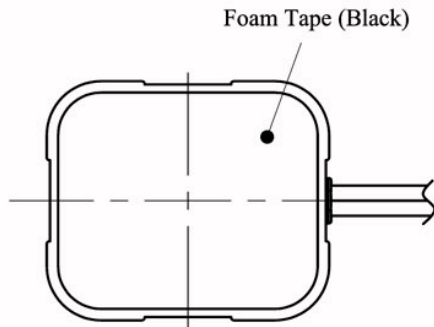
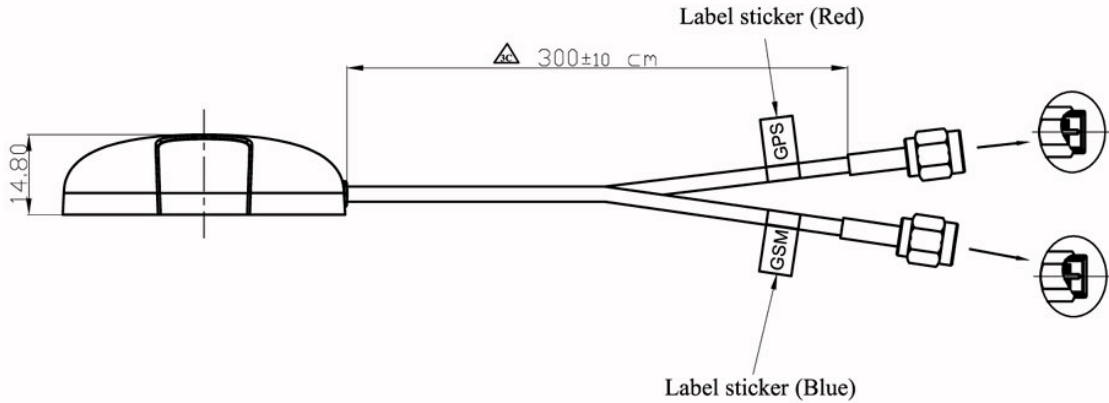
GPS : 1575.42 MHz

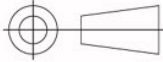
Connector :

GSM : SMA Male

GPS : SMA Male

Cable : RG-174



| | | | | | |
|---------------------------|---------------|---|--|-----------------|-------------------|
| | 核准APPD. | 容許公差 .XXX .XX .X X ANG | TOLERANCE ±0.10 ±0.25 ±0.38 ±0.50 ±3° | 品名 ARTICLE | GPS+GSM ANTENNA |
| 版本說明 | REVISION NOTE | | | 圖號 DWG NO. | SPK-GGSM691 |
| SPK ELECTRONICS CO., LTD. | |  | | 單位 UNIT mm | 比例 SCALE 0.4/1 |
| | | | | 張數 SHEET 1/1 | 版本 REV. |

Add : 10F,NO.510,SEC.5,CHUNG HSIAO E. RD, TAIPEI, TAIWAN

Tel : 02-2346-2323

Fax : 02-2346-3939

E-mail : spktw@ms34.hinet.net

WEB: <http://www.spkecl.com>